

# MULTI-THERM Automatic Double-Regulating Valve, Union Thread, 30°C-50°C, Figure 140 0G



## product features

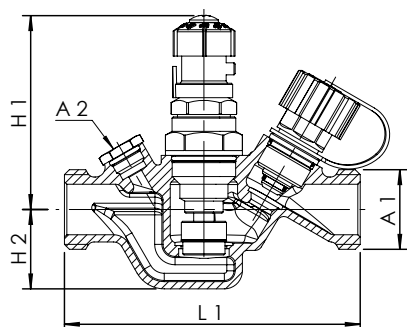
- wetted metal parts made from dezincification-free and corrosion-resistant gunmetal, resistant against aggressive water
- for hydraulic balancing of hot water return systems (PWH-C), supports thermal disinfection
- isolating unit with temperature sensor seat
- PTFE seat gasket
- thermostatic regulating unit
- male union thread
- with plugged drain port
- free from dead spots
- No DVGW approval needed because it deviates from DVGW Worksheet W 551

## standards and approvals

- plastic parts with KTW- and W270 certificates

## technical data

- control range 30 °C to 50 °C
- pressure rating PN 16
- max. operating temperature 90 °C



part no.	DN	A1	A2	H1	H2	L1	Wt	max. volume flow (kvs)
				mm	mm	mm	kg	m <sup>3</sup> /h
1400G01500	15	G 3/4	G 1/4	85	28	110	0.69	1.3
1400G02000	20	G 1	G 1/4	85	33	123	0.87	1.6
1400G02500	25	G 1 1/4	G 1/4	96	34	133	1.14	3.2

accessories	page
Sampling Valve, Figure 187 00	6.1
Axial Drain Valve Made of Gunmetal, Figure J7109 170 00	15.12
Drain Valve Made Of Gunmetal / Plastic, Figure J7109 173 00	15.12
Pt 1000 Temperature Sensor, Figure T5100 140 00	15.23
Dial Thermometer, Figure T5100 150 00	15.24
Insulation Shell For MULTI-THERM Automatic Double-Regulating Valve, Figure 471 11	15.9
Screw connections	15.4