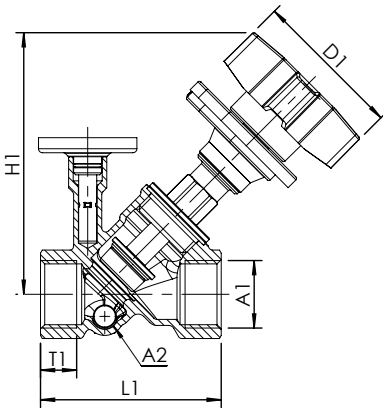


MULTI-FIX-PLUS Double-Regulating Valve, Figure 151 06



product features

- wetted metal parts made from dezincification-free and corrosion-resistant gunmetal, resistant against aggressive water
- for hydraulic balancing of hot water return systems (PWH-C)
- PTFE seat gasket
- maintenance-free spindle gasket with self-lubricating EPDM lip gasket
- female pipe thread
- with plugged drain port
- incl. thermometer
- with receptacle for temperature sensor Pt 1000
- free from dead spots
- keeps throttle pre-setting when valve is closed and opened
- with indicator for pre-setting

standards and approvals

- DVGW approval pending / W 553 / DIN 1988 300
- plastic parts with KTW- and W270 certificates
- for systems according to DVGW worksheet W 551
- DIN EN 1213

technical data

- pressure rating PN 16
- max. operating temperature 100 °C

part no.	DN	A1	A2	D1	H1	L1	T1	Wt
				mm	mm	mm	mm	kg
1510601500	15	Rp 1/2	G 1/4	75.5	116	65	15	0.64
1510602000	20	Rp 3/4	G 1/4	75.5	123	75	16.3	0.75
1510602500	25	Rp 1	G 1/4	75.5	130.5	90	19.1	1.05
1510603200	32	Rp 1 1/4	G 1/4	75.5	130.5	110	21.4	1.32

accessories

	page
Sampling Valve, Figure 187 00	#N01#
Drain Valve made of Gunmetal / Plastic, Figure J7109 173 00	#N02#
Pt 1000 Temperature Sensor, Figure T5100 140 00	#N03#
Insulation shell for MULTI-FIX-PLUS Double-Regulating Valve, as of 01/2016, Figure 471 26	